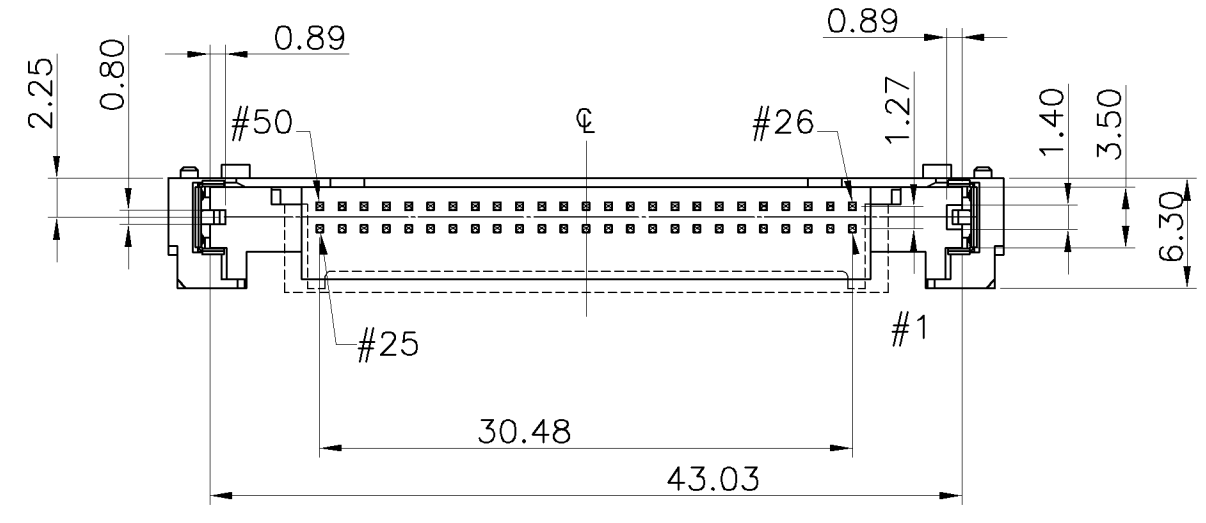
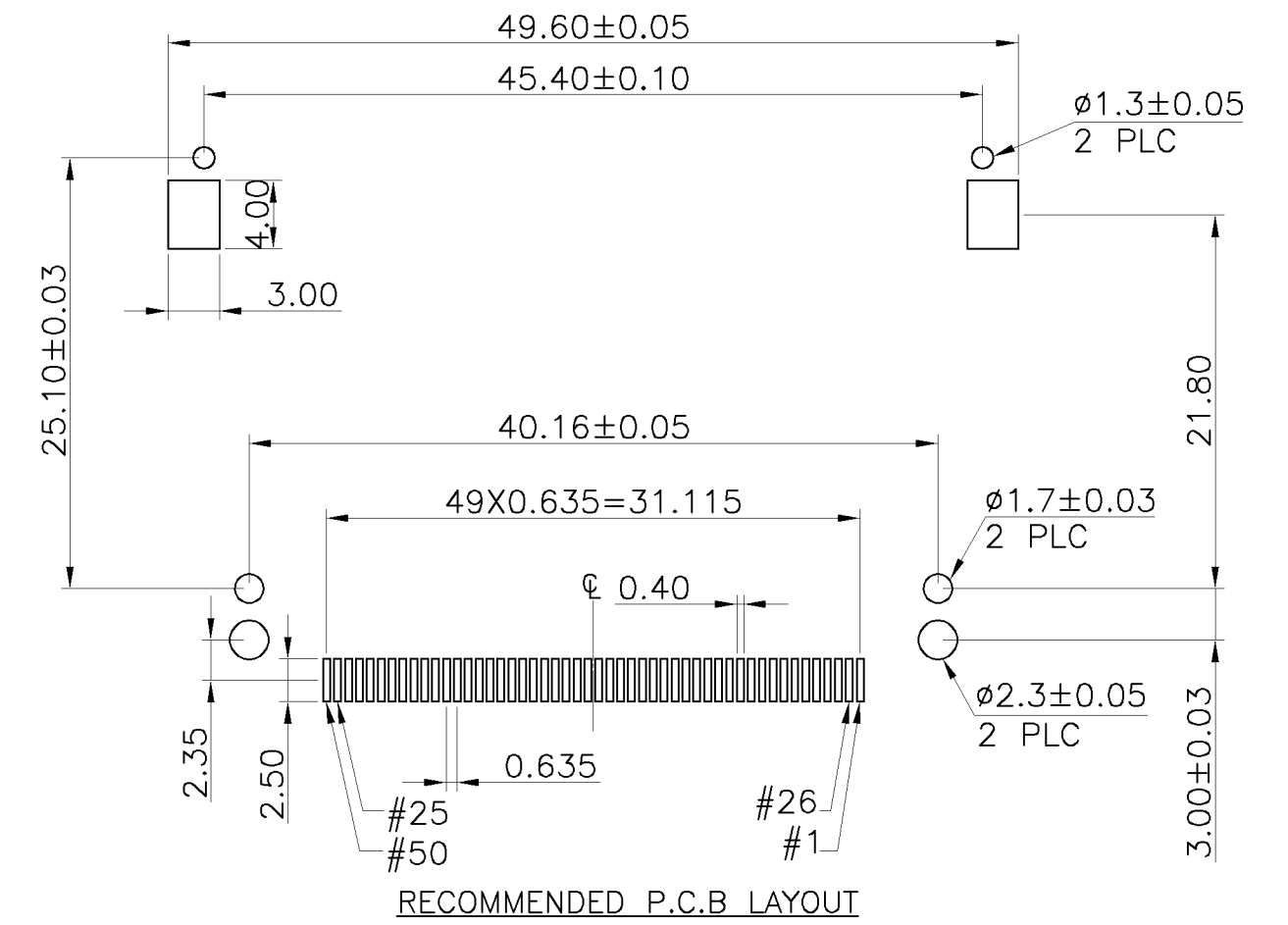


THIS DRAWING IS UNPUBLISHED. RELEASED FOR PUBLICATION
 © COPYRIGHT BY TYCO ELECTRONICS CORPORATION. ALL RIGHTS RESERVED.

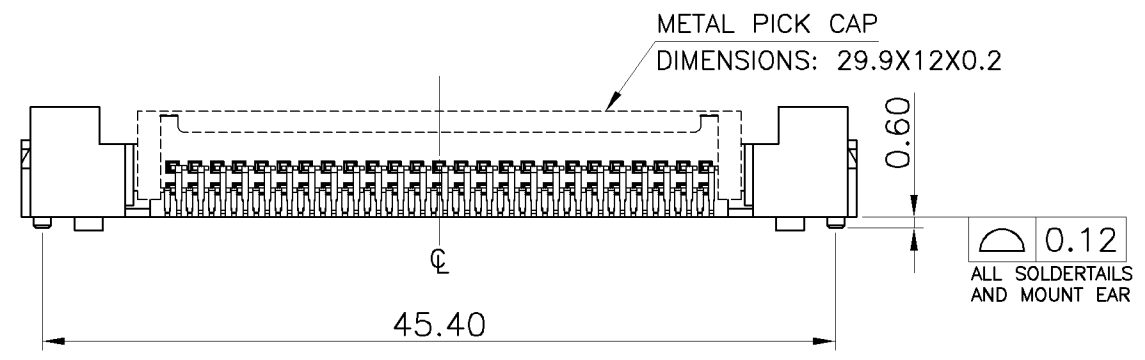
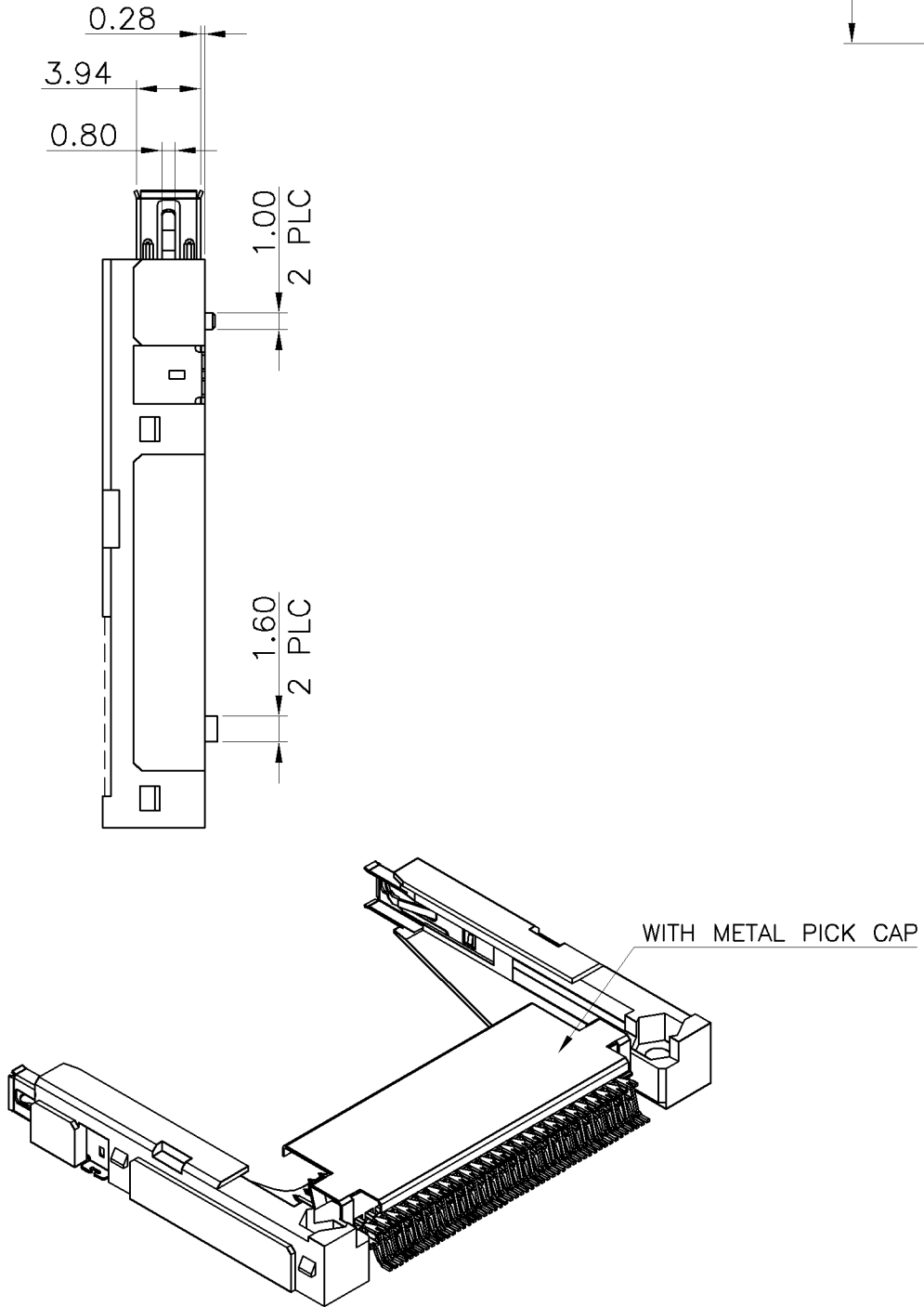
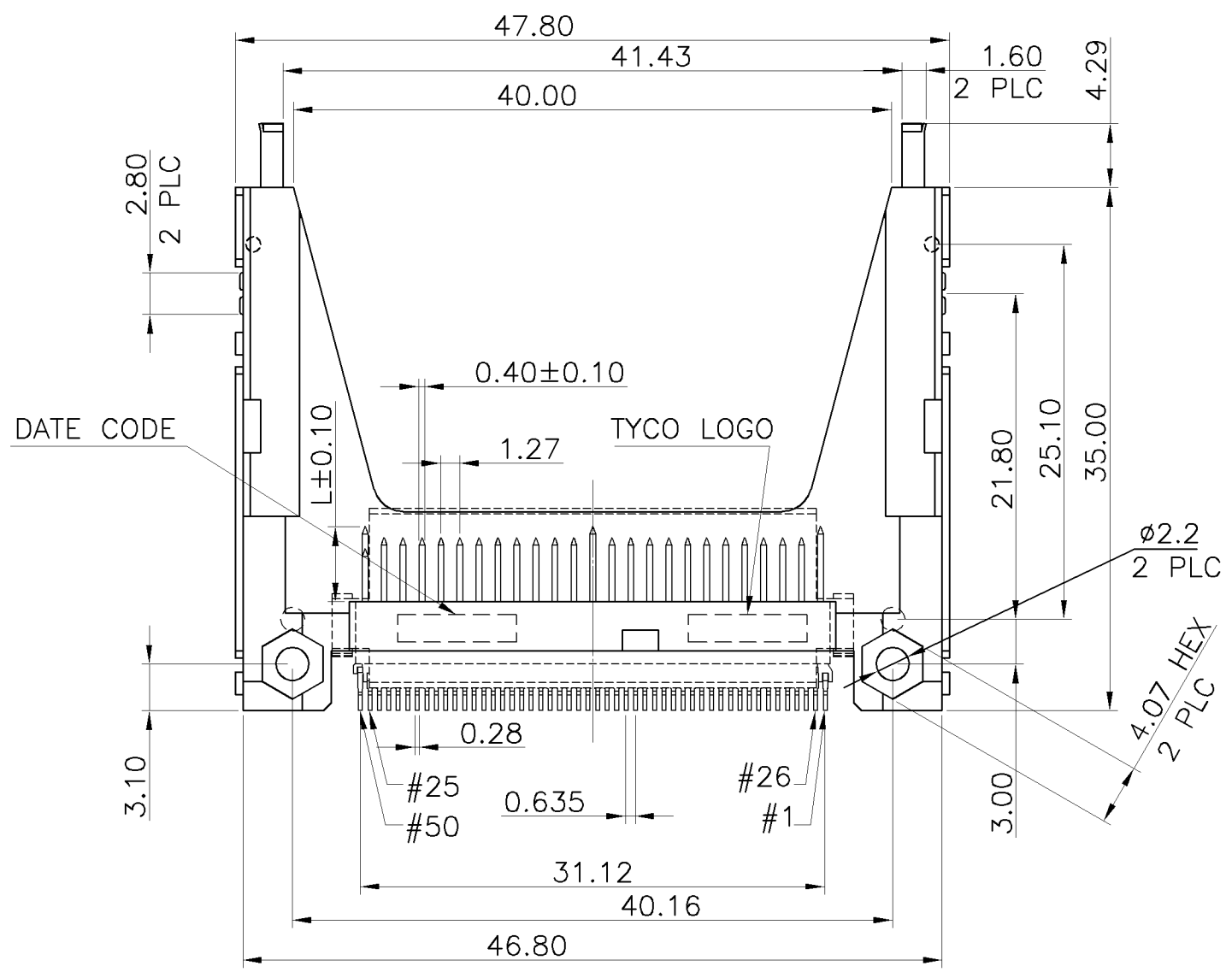
| LOC | DIST | REVISIONS | | | | | |
|-----|------|-----------|-----|--|---------|-----|------|
| DW | — | P | LTR | DESCRIPTION | DATE | DWN | APVD |
| | | B | | ECR-07-010411, CHANGE TERMINAL'S PROFILE | 04MAY07 | OH | WK |



| | |
|----------|------------------|
| POWER | 5.00mm |
| GENERAL | 4.25mm |
| DETECT | 3.50mm |
| PIN TYPE | INTERFACE DIM. L |



- NOTE:
- MATERIAL:
 HOUSING: LCP WITH 30% GF, UL 94V-0, WHITE COLOR.
 CONTACTS: BRASS.
 MOUNT EAR: BRASS.
 GROUNDING: PHOSPHOR BRONZE.
 PICKCAP: STEEL.
 - FINISH:
 CONTACTS: 0.381µm [15µ"] GOLD PLATED ON CONTACT AREA,
 2.54µm [100µ"] MIN. MATTE-TIN ON SOLDER TAIL, WITH
 ENTIRE CONTACT UNDERPLATED 1.27µm [50µ"] MIN. NICKEL.
 MOUNT EAR: 2.54µm [100µ"] MIN. TIN PLATED ON SOLDER AREA
 1.27µm [50µ"] MIN. NIKEL UNDERPLATED ALL OVER.
 GROUNDING: 2.03µm [80µ"] MIN. NIKEL UNDERPLATED ALL OVER.
 - REFLOW SOLDER CAPABLE TO 260°C PER TYCO TEST SPEC.
 109-201, CONDITION B.

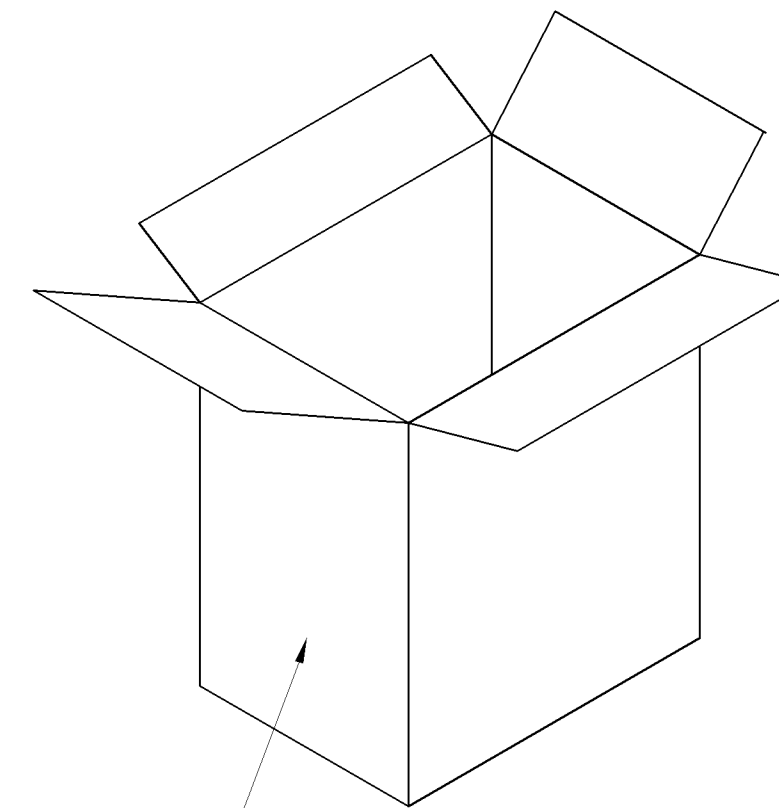
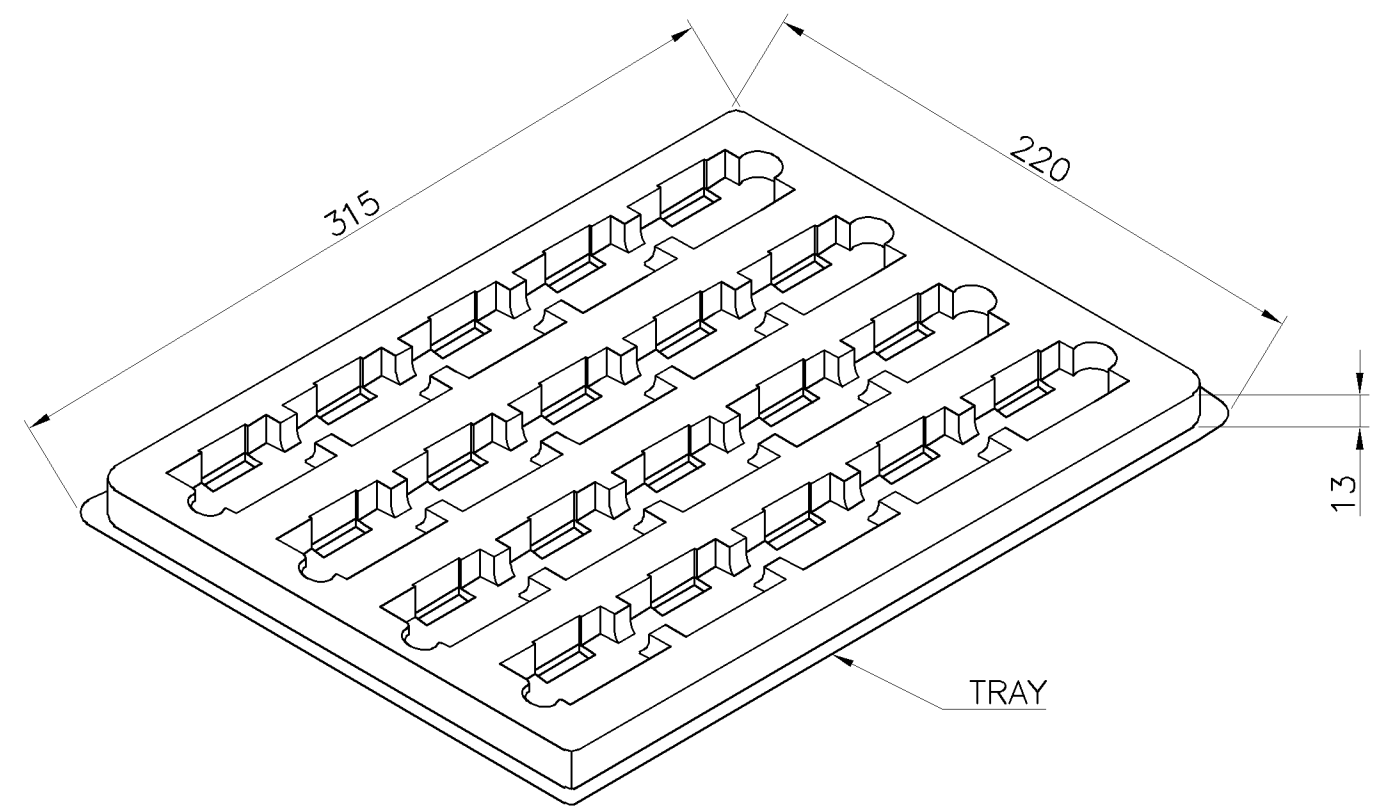
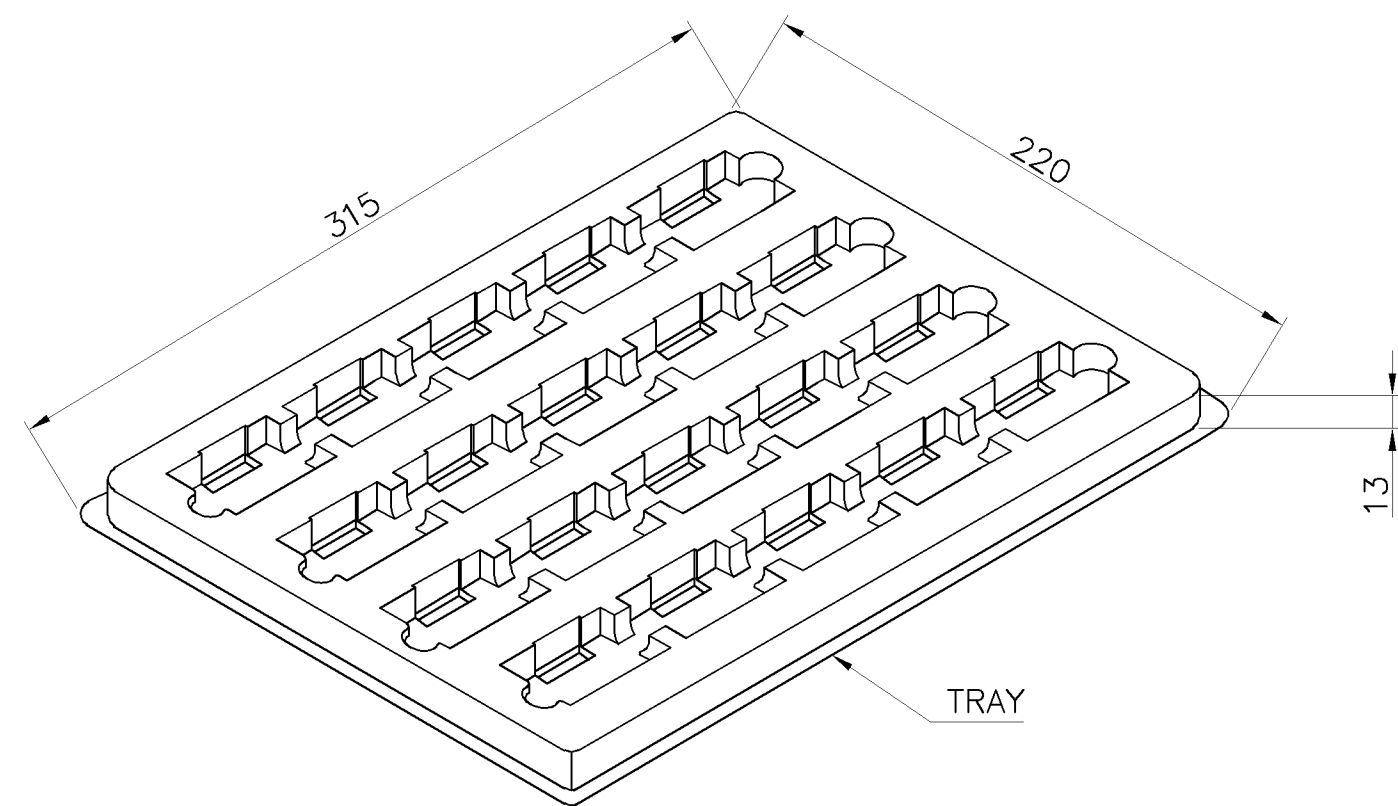


| | | |
|----------|-------------|-------------|
| W/ | TAPE & REEL | 1-1734448-2 |
| | TRAY | 1734448-2 |
| W/O | TAPE & REEL | 1-1734448-1 |
| | TRAY | 1734448-1 |
| PICK CAP | PACKAGING | PART NUMBER |

| | | | | | | | | |
|--|--|---------------------------|---------|-----------|----------------------------|--|------------|---------------|
| THIS DRAWING IS A CONTROLLED DOCUMENT. | | DWN | O. HU | 03MAY2007 | tyco Electronics | Tyco Electronics Corporation Taipei, Taiwan | | |
| DIMENSIONS: MM | | CHK | S. HOU | 03MAY2007 | | NAME | | |
| TOLERANCES UNLESS OTHERWISE SPECIFIED: | | APVD | W.J. KE | 03MAY2007 | PRODUCT SPEC | | | |
| 0 PLC ± 0.5 | | QUALIFICATION TEST REPORT | | | 108-57134 | | | |
| 1 PLC ± 0.3 | | WEIGHT | | | 501-57118 | | | |
| 2 PLC ± 0.2 | | CUSTOMER DRAWING | | | SIZE | CAGE CODE | DRAWING NO | RESTRICTED TO |
| 3 PLC ± - | | 4.145 GRAMS | | | A3 | 00779 | C=1734448 | — |
| 4 PLC ± - | | FINISH | | | SCALE | | | |
| ANGLES ± - | | SEE NOTE | | | SHEET 1 OF 3 | | | |
| MATERIAL | | SEE NOTE | | | REV B | | | |

THIS DRAWING IS UNPUBLISHED. RELEASED FOR PUBLICATION
 © COPYRIGHT BY TYCO ELECTRONICS CORPORATION. ALL RIGHTS RESERVED.

| LOC | DIST | REVISIONS | | | |
|-----|------|--------------|------|-----|------|
| P | LTR | DESCRIPTION | DATE | DWN | APVD |
| | | SEE SHEET 1. | | | |



CARTON SIZE
 450(L) X 330(W) X 254(H)

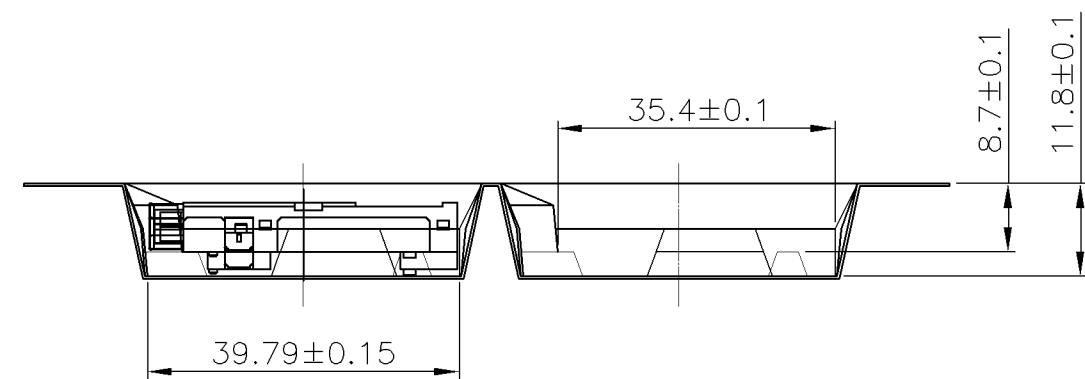
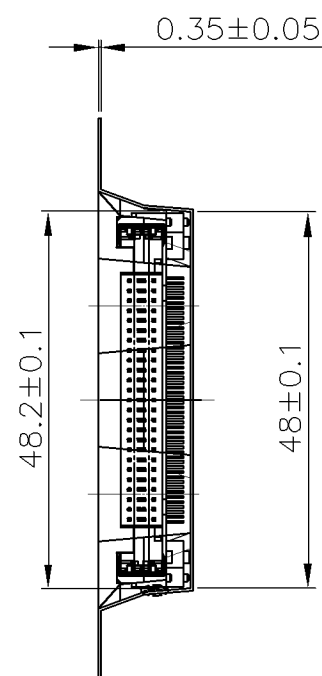
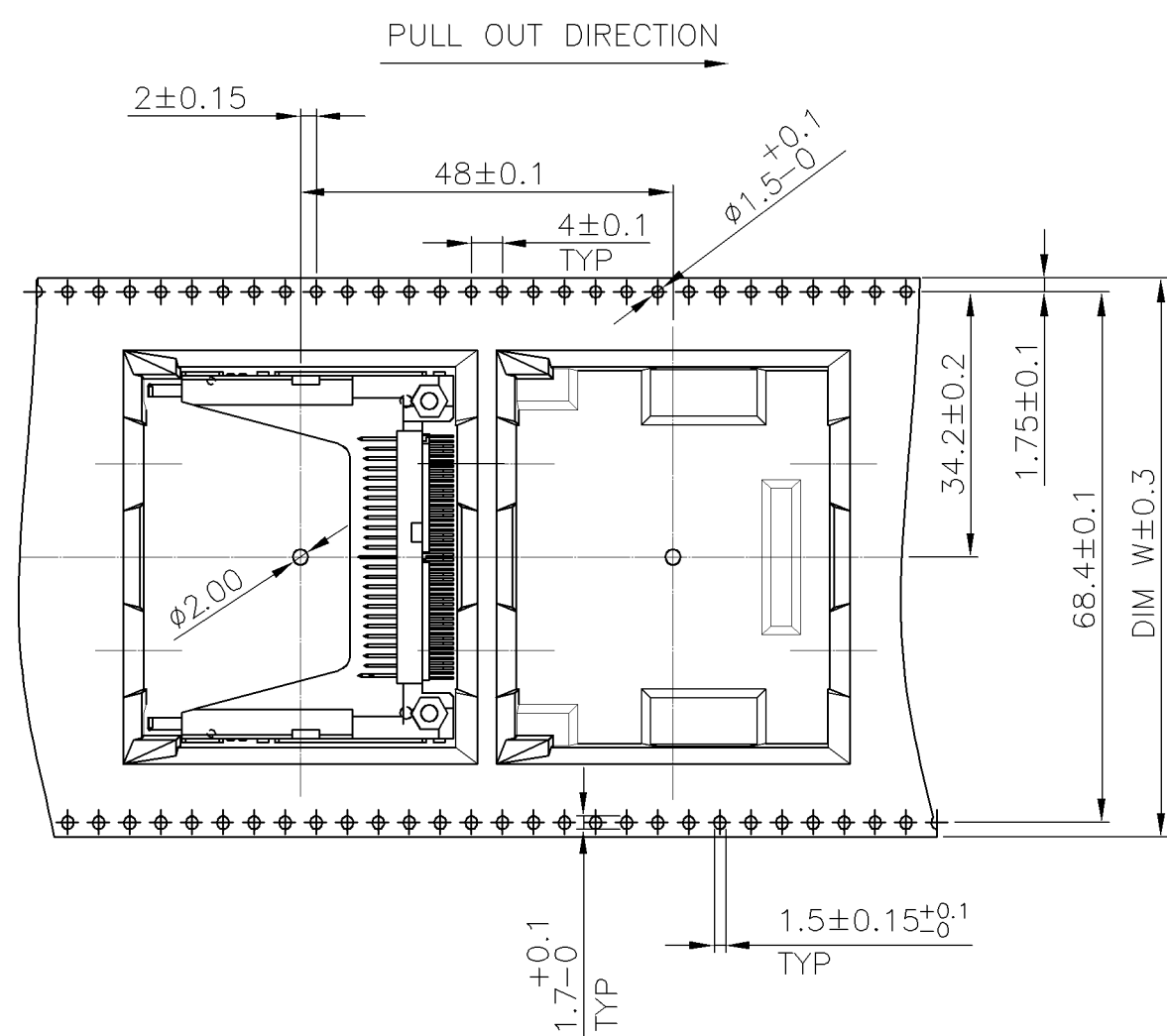
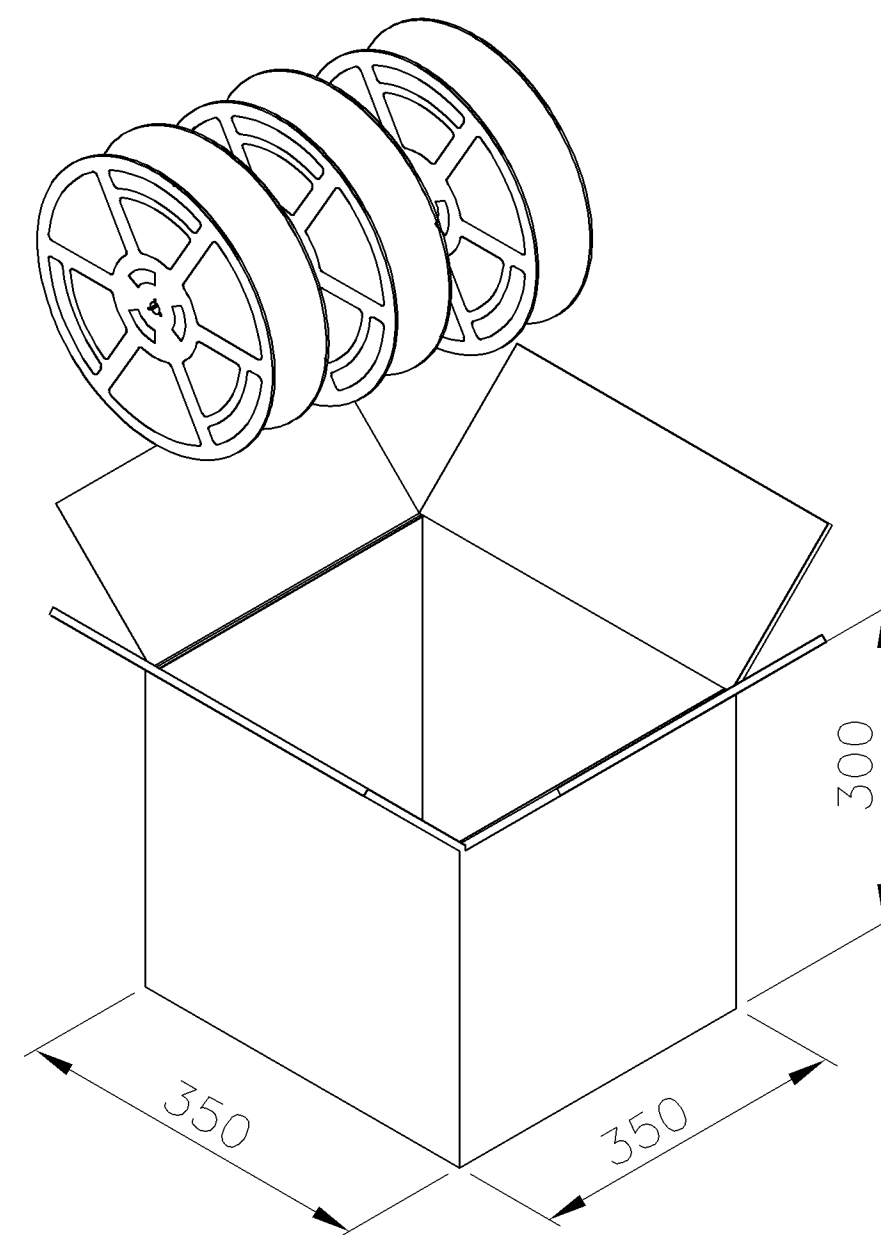
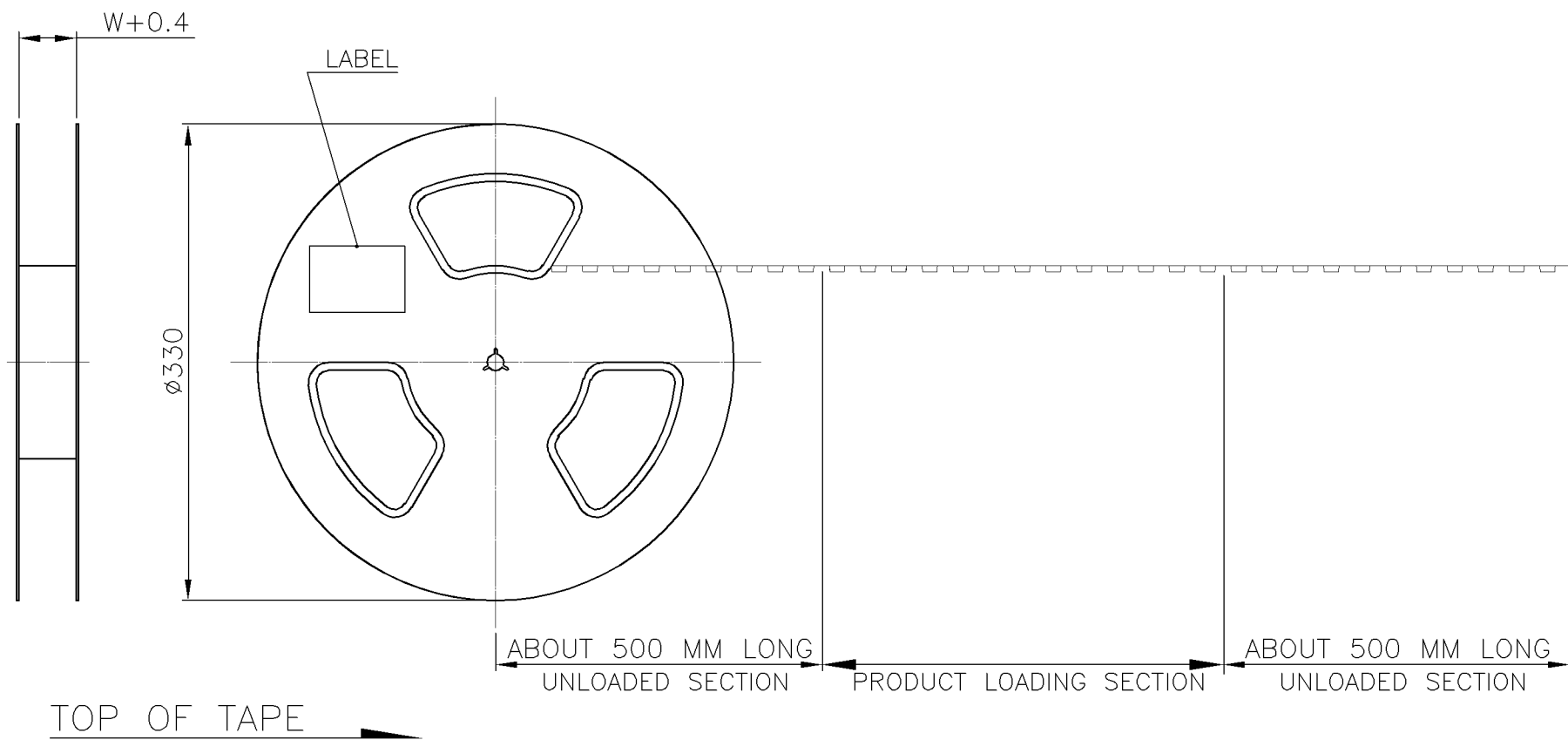
NOTE:
 1. TOP LAYER IS EMPTY.

| | | |
|-------|------|----------|
| 50 | 20 | 1000 |
| LAYER | TRAY | QUANTITY |

| | | | | |
|--|--|------------------------------|--|---------------|
| THIS DRAWING IS A CONTROLLED DOCUMENT. | | DWN O. HU 03MAY2007 | tyco Tyco Electronics Corporation | |
| DIMENSIONS: MM | | CHK S. HOU 03MAY2007 | Electronics Taipei, Taiwan | |
| TOLERANCES UNLESS OTHERWISE SPECIFIED: | | APVD W.J. KE 03MAY2007 | NAME | |
| 0 PLC ± - | | PRODUCT SPEC | PIN HEADER TYPE 2, 50 POS, SMT, TOP BOARD, COMPACT FLASH CARD | |
| 1 PLC ± - | | APPLICATION SPEC | SIZE | RESTRICTED TO |
| 2 PLC ± - | | WEIGHT | A3 | — |
| 3 PLC ± - | | CUSTOMER DRAWING | CAGE CODE | DRAWING NO |
| 4 PLC ± - | | SCALE | 00779 | 1734448 |
| ANGLES ± - | | SHEET | 2 OF 3 | REV B |
| FINISH | | | | |

THIS DRAWING IS UNPUBLISHED. RELEASED FOR PUBLICATION
 © COPYRIGHT BY TYCO ELECTRONICS CORPORATION. ALL RIGHTS RESERVED.

| LOC | DIST | REVISIONS | | | | | |
|-----|------|-----------|-----|--------------|------|-----|------|
| DW | — | P | LTR | DESCRIPTION | DATE | DWN | APVD |
| | | | | SEE SHEET 1. | | | |



| | | | | | |
|-------|----------|--------------|----------------|----------|----------|
| 72 | 70 | 3 | 210 | 4 | 5 |
| DIM W | PCS/TAPE | REELS/CARTON | QUANTITY (PCS) | G/W (Kg) | N/W (Kg) |

| | | | | | |
|--|------------|------------------------|---|-----------|------------|
| THIS DRAWING IS A CONTROLLED DOCUMENT. | | DWN O. HU 03MAY2007 | tyco Tyco Electronics Corporation | | |
| DIMENSIONS: MM | | CHK S. HOU 03MAY2007 | Electronics Taipei, Taiwan | | |
| TOLERANCES UNLESS OTHERWISE SPECIFIED: | | APVD W.J. KE 03MAY2007 | NAME | | |
| 0 PLC ± - | 1 PLC ± - | PRODUCT SPEC | PIN HEADER TYPE 2, 50 POS, SMT, TOP BOARD, COMPACT FLASH CARD | | |
| 2 PLC ± - | 3 PLC ± - | APPLICATION SPEC | SIZE | CAGE CODE | DRAWING NO |
| 4 PLC ± - | ANGLES ± - | WEIGHT | A3 00779 | | ©=1734448 |
| MATERIAL | FINISH | CUSTOMER DRAWING | RESTRICTED TO | — | |
| | | SCALE | SHEET | REV | |
| | | — | 3 OF 3 | B | |